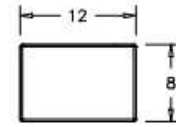
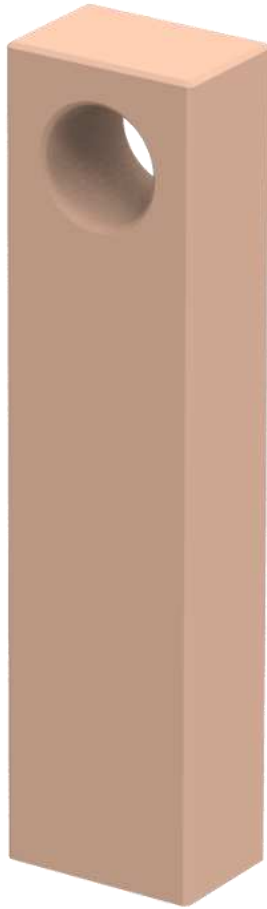
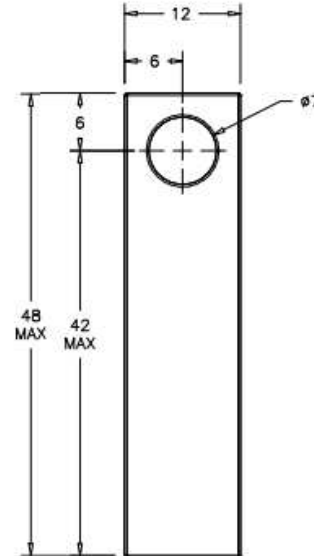


PERSPECTIVE VIEW



PLAN VIEW



FRONT VIEW

Specifications:

DIMENSIONS

- 12" base length x 8" thickness x 48" tall (max)

WEIGHT

- 90 lbs per 1'

MATERIALS

- 3/8" steel rebar, Type 2 Portland cement conforming to ASTM C150 specifications

STRESS LOAD

- 5000 PSI at 28 days

TEXTURE

- Natural, Light Sandblast or Heavy Sandblast (please reference <https://empireprecast.net/textures/>)

COLOR

- Natural Gray, French Gray, Light Gray, Orco Tan, Adobe Brown, Canyon, Sage (please reference <https://empireprecast.net/colors/>)

MOUNTING

- Anchoring styles A, B or C (for anchoring styles see https://empireprecast.net/wp-content/uploads/2018/10/ANCHORING_OPTIONS.pdf)

WARRANTY

- Warranted against defects in materials and workmanship for a period of **ONE (1) YEAR** from the date of purchase

Custom dimensions available upon request