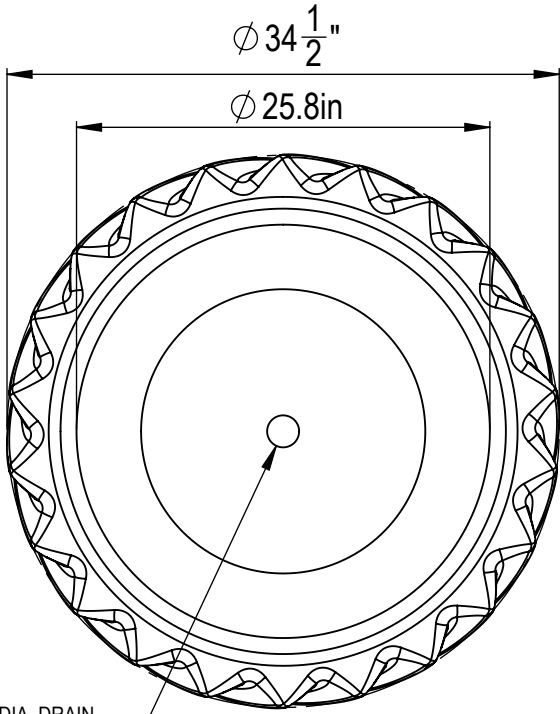


PRODUCT TYPE: 18x36 FLUSS PLANTER



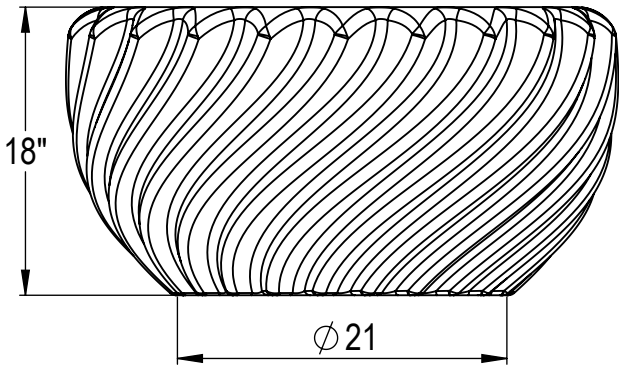
<https://empireprecast.net/>

QTY: X	FINISH: TBD	COLOR: TBD
-----------	----------------	---------------

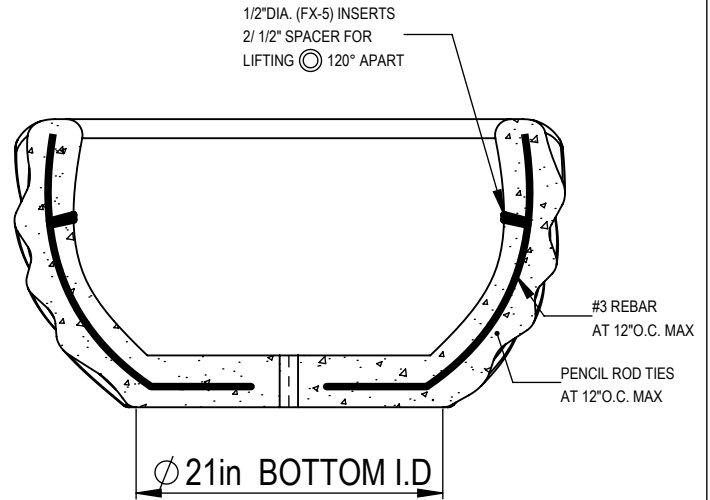


STD 2"DIA. DRAIN  
OLE (CENTERED)

**PLAN VIEW**



**FRONT VIEW**



**SIDE VIEW**

PROJECT NAME:		18x36 FLUSS PLANTER		REVISION	DESCRIPTION:
SIZE:		PREPARED FOR:		1	
A				2	
				3	
SCALE:	SHEET	DATE:	DRAWN BY:	APPROVED BY:	DATE:
1:12	1 OF 4	3/13/2020	V.STOEV		