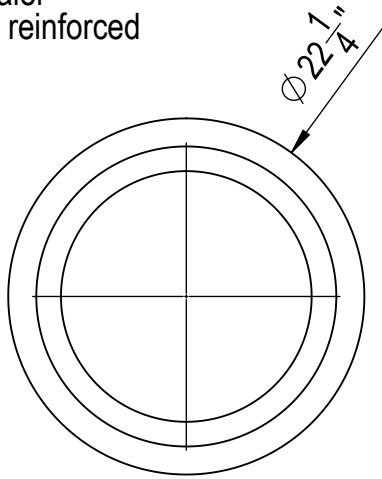


PRODUCT TYPE: PARK HYATT 28"		
QTY: X	FINISH: SANDBLAST	COLOR: DARK GREY

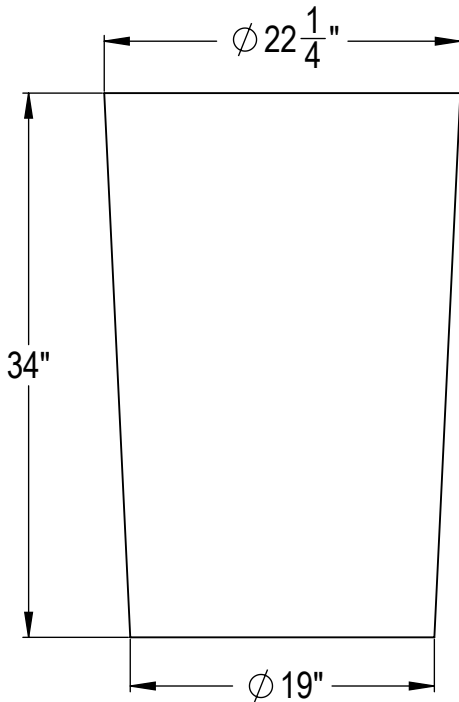


<https://empireprecast.net/>

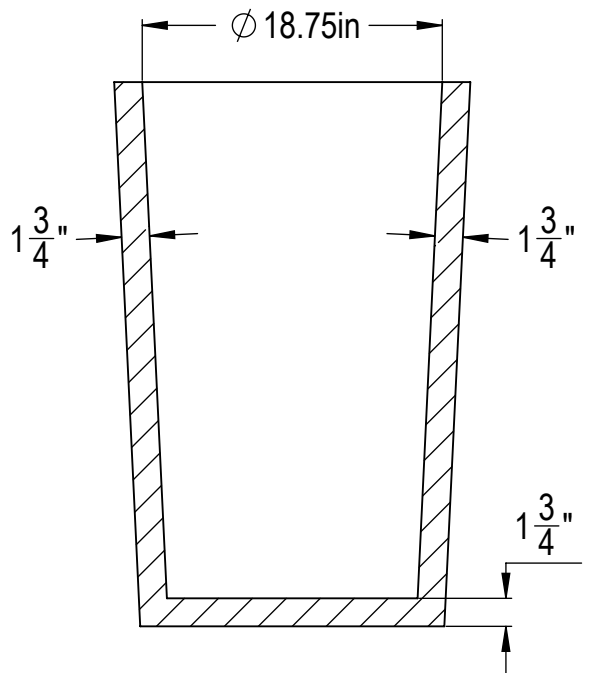
- *Integral sealer
- *Glass fiber reinforced



PLAN VIEW



SIDE VIEW



SECTION VIEW

PROJECT NAME: PARK HYATT		REVISION	DESCRIPTION:
SIZE: A	PREPARED FOR:	①	
SCALE: 1:12	SHEET 1 OF 1	②	
DATE: 3/12/2020	DRAWN BY: V.STOEV	③	
APPROVED BY:		DATE:	