

### INSTALLATION:

Determine placement of table.

For freestanding table:

1. Set in place with proper equipment such as a crane. See Fig. 1.

Included components: No assembly required

Tools required:

- Crane or proper equipment to move
- Wood support or straps

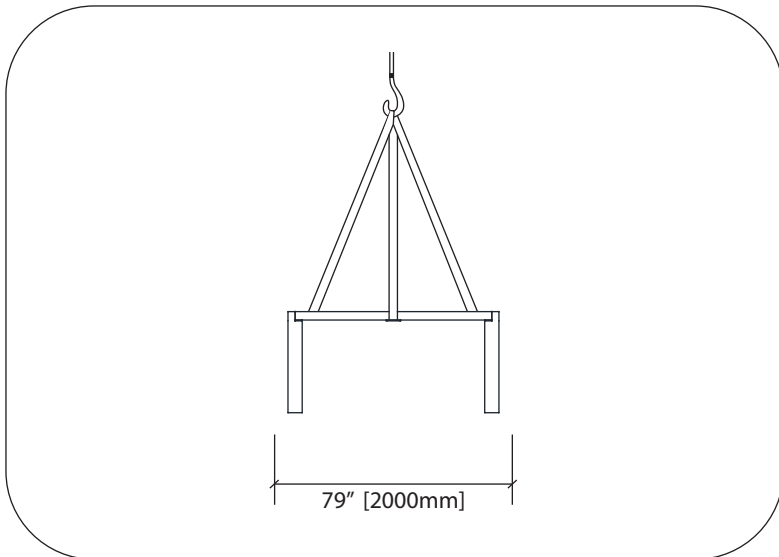


Fig. 1 - Crane install - strap locations

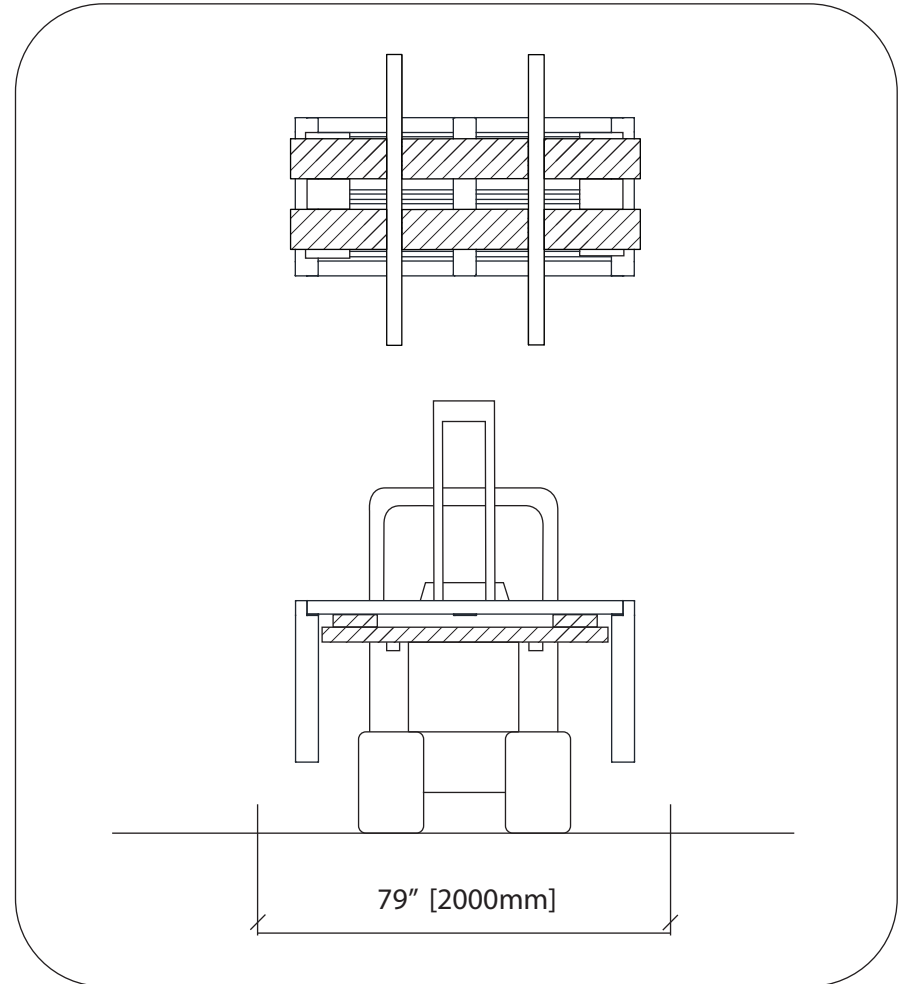


Fig. 2 - Forklift install - bracing locations